

CONVECTORS AND LAMELLAR RADIATORS

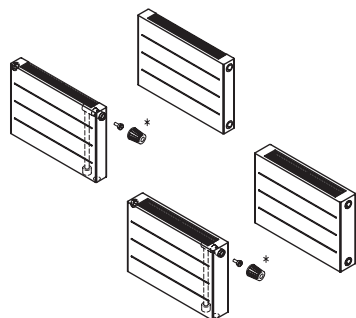
EXACT

CONVECTORS AND LAMELLAR RADIATORS

LAMELLAR RADIATORS

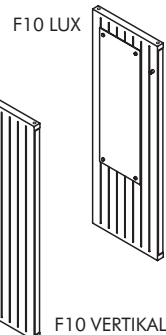
Code example: F10L16000560AD01

* thermostatic head is not part of the convector



F10
 Length [mm] 400–3.000
 Height [mm] 280, 420, 560, 700
 Depth [mm] 50
 Heating capacity 135–2.247 W
 Operating pressure 5 bar (10 bar)
 Connections G1/2" internal

F20
 Length [mm] 400–3.000
 Height [mm] 280, 420, 560, 700
 Depth [mm] 72
 Heating capacity 214–3.487 W
 Operating pressure 5 bar (10 bar)
 Connections G1/2" internal

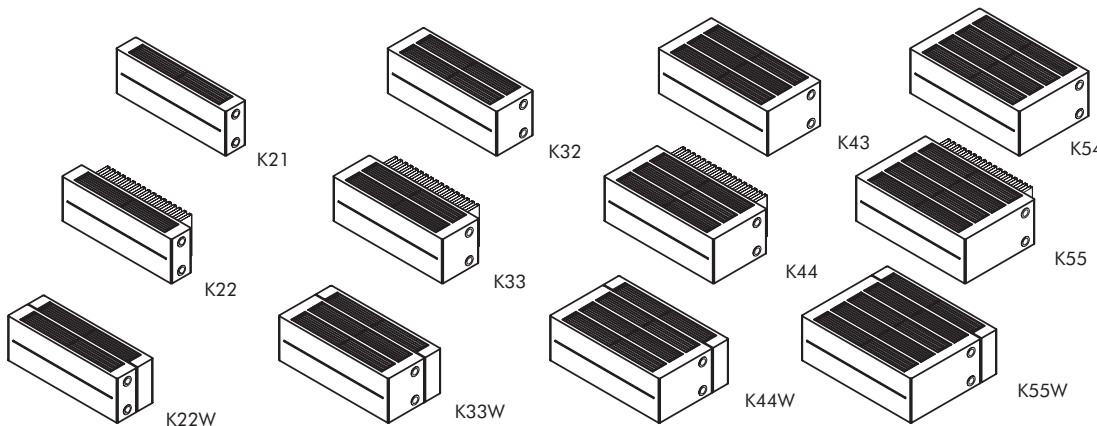


F10 LUX
 Length [mm] 560, 700
 Height [mm] 1.600, 1.800
 Depth [mm] 50
 Heating capacity 888–1.213 W
 Operating pressure 5 bar (10 bar)
 Connections G1/2" internal

F10 VERTIKAL
 Length [mm] 280, 420, 560, 700
 Height [mm] 400–3.000
 Depth [mm] 50
 Heating capacity 135–2.247 W
 Operating pressure 5 bar (10 bar)
 Connections G1/2" internal

RADIANT CONVECTORS

Code example: K33W01402400AD01



Length [mm] 400–6.000
 Height [mm] 70, 140, 210, 280
 Depth [mm] 72, 133, 194, 255
 Heating capacity 116–13.098 W
 Operating pressure 5 bar (10 bar)
 Connections G1/2" internal

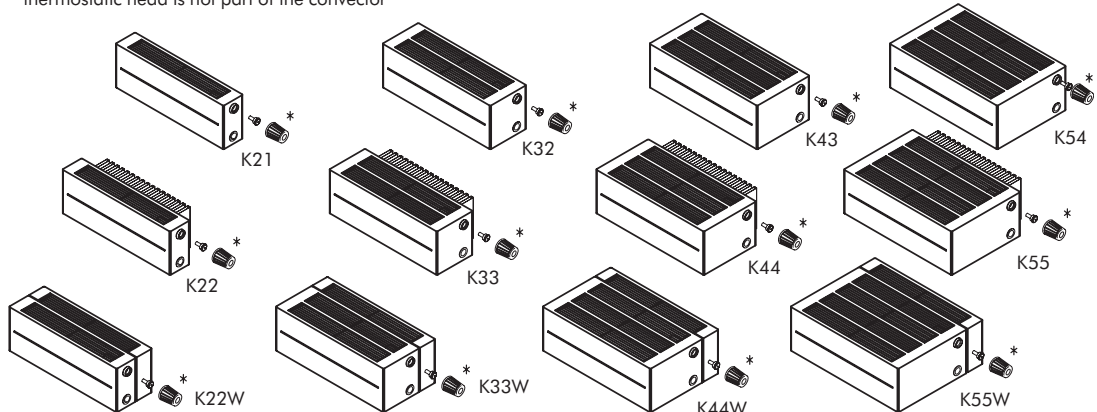
Length [mm] 400–6.000
 Height [mm] 70, 140, 210, 280
 Depth [mm] 111, 172, 233, 294
 Heating capacity 146–14.082 W
 Operating pressure 5 bar (10 bar)
 Connections G1/2" internal

Length [mm] 400–6.000
 Height [mm] 70, 140, 210, 280
 Depth [mm] 133, 194, 255, 316
 Heating capacity 146–14.082 W
 Operating pressure 5 bar (10 bar)
 Connections G1/2" internal

VALVE RADIANT CONVECTORS

Code example: K21-02103200VL01

* thermostatic head is not part of the convector



Length [mm] 400–6.000
 Height [mm] 140, 210, 280
 Depth [mm] 72, 133, 194, 255
 Heating capacity 116–13.098 W
 Operating pressure 5 bar (10 bar)
 Connections G1/2" internal

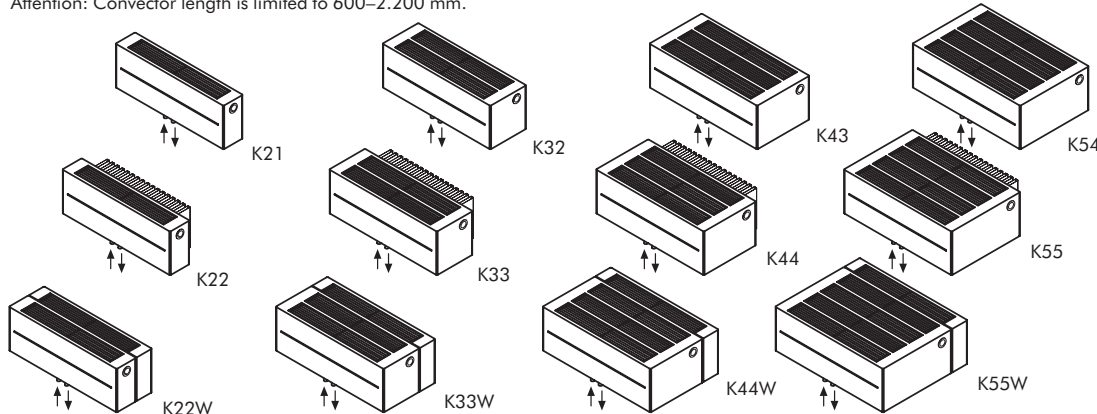
Length [mm] 400–6.000
 Height [mm] 140, 210, 280
 Depth [mm] 111, 172, 233, 294
 Heating capacity 146–14.082 W
 Operating pressure 5 bar (10 bar)
 Connections G1/2" internal

Length [mm] 400–6.000
 Height [mm] 140, 210, 280
 Depth [mm] 133, 194, 255, 316
 Heating capacity 146–14.082 W
 Operating pressure 5 bar (10 bar)
 Connections G1/2" internal

CONVECTORS WITH CENTRE CONNECTION

Code example: K22W02101400MA01

Attention: Convector length is limited to 600–2.200 mm.



Length [mm] 600–2.200
 Height [mm] 140, 210, 280
 Depth [mm] 72, 133, 194, 255
 Heating capacity 173–13.098 W
 Operating pressure 5 bar (10 bar)
 Connections G1/2" internal

Length [mm] 600–2.200
 Height [mm] 140, 210, 280
 Depth [mm] 111, 172, 233, 294
 Heating capacity 145–4.803 W
 Operating pressure 5 bar (10 bar)
 Connections G1/2" internal

Length [mm] 600–2.200
 Height [mm] 140, 210, 280
 Depth [mm] 133, 194, 255, 316
 Heating capacity 218–5.163 W
 Operating pressure 5 bar (10 bar)
 Connections G1/2" internal

More information available on address:

ISAN Radiátory s. r. o., Poříčí 26, Blansko 678 33, Czech Republic, +420 516 489 180, Fax: +420 516 411 837
 sales@isan.cz / www.isan.cz